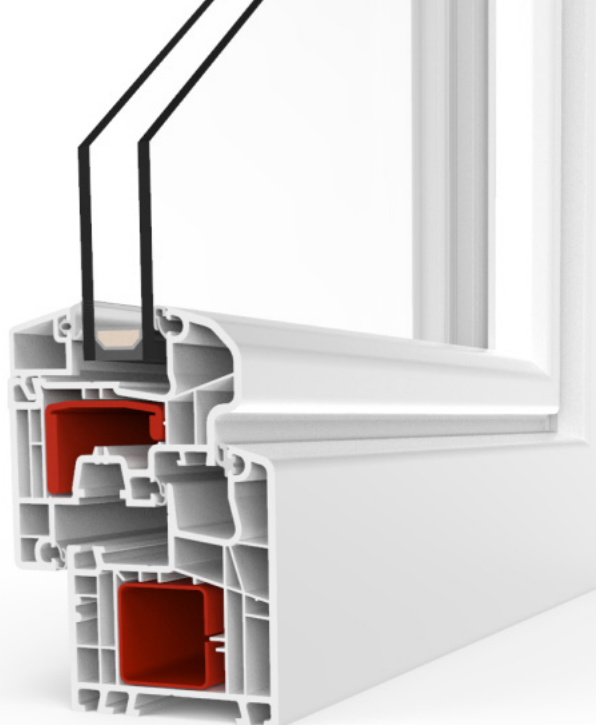


Tilt & slide patio door IDEAL 5000

U_w-Value
≥ 0.87



- Semi-offset design
- 70 mm construction depth
- 5-chamber profile with 3 seals

Energy saving through new windows

U _w value (old)	3.50 W/(m ² K)
U _w value (new)	0.87 W/(m ² K)
Window area	30 m ²
Annual fuel oil savings	1031 litres
Annual carbon dioxide reduction	2,784 kg

Explanation

Heating degree days	4,050
Conversion factor kilogram into litres of heating oil	1.19
Conversion of calorific value Wh/kg	11,800
Heating efficiency	0.75

SAFETY EQUIPMENT / FITTING

BASIS:

- Fitting with 3 locking plates
- 3-dimensionally adjustable
- Malfunction lock
- Max. sash weight 130 kg

OPTIONAL:

- Safety levels: RC1, RC2, according to EN 1627-1630
- High Control (magnetic contact for electronic monitoring)
- Integrated door lock, lockable from inside and outside
- Lock monitoring according to VDI

COLOURS

- PVC inside white or decor according to current price list according to colour range uPVC
- Aluminium facing according to current aluminium colour range

SOUND INSULATION

R_w ≤ 44 dB

GLASS THICKNESS

24 mm to 50 mm

SEALS

- Centre sealing system
- 3 sealing levels
- Possible colours:
 - Papyrus white or black for decor



SYSTEM VALUES

- Air permeability: Class 3 (according to EN 12207)
- Driving rain-proof: Class 4A (according to EN 12208)
- Water tightness against driving rain:
Class B3 (according to EN 12210)

Please note:

The classes given here are minimum classes. For higher requirements please consult us.

THERMAL INSULATION

- Reference size 1230 x 1480 mm
- $U_f = 1.2 \text{ W/(m}^2\text{K)}$
- Minimum requirement according to GEG2020 $U_w = 1.3 \text{ W/(m}^2\text{K)}$

U_g Glass (W/m ² K) according to EN 673	U_w window (W/m ² K)		
	Type of edge spacer		
	Aluminium	KSH / KSD	Swisspacer Ultimate
Double glazing	Psi = 0.066 (W/mK)	Psi = 0.041 (W/mK)	Psi = 0.032 (W/mK)
1.1	1.29	1.23	1.21
1.0	1.23	1.17	1.14
Triple glazing	Psi = 0.064 (W/mK)	Psi = 0.039 (W/mK)	Psi = 0.030 (W/mK)
0.8	1.09	1.02	1.00
0.7	1.02	0.96	0.94
0.6	0.95	0.89	0.87

U_w values < 1.0 W/(m²K) are shown with two decimal places in accordance with EN ISO 10077

U_w values > 1.0 W/(m²K) are shown with one decimal place according to EN ISO 10077, here with two decimal places for information purposes

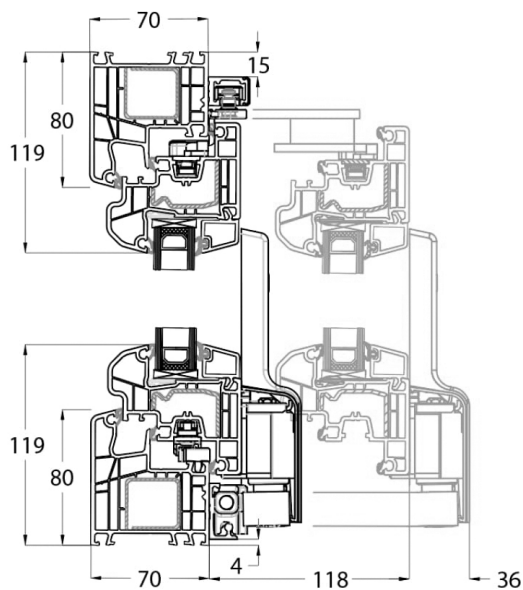
SOUND INSULATION

Reference size 1230 x 1480 mm
(Elements with test certificate)

$R_w \triangleq R_{wp}$ = test value window	R_{wR} = calculated value window	R_{wp} = test value glass	Test certificate no.
33 dB	31 dB	32 dB	010424.S22
38 dB	36 dB	36 dB	00127.P1
40 dB	38 dB	39 dB	001127.P3
42 dB	40 dB	42 dB	161259751/Z10 R1
45 dB	43 dB	45 dB	161259751/Z08 R1
47 dB	45 dB	48 dB	161259751/Z09 R1

For Germany, the following applies according to DIN 4109:1989-11:

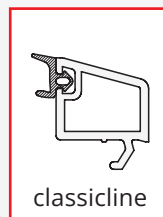
$$R_w \text{ corresponds to } R_{wp}; R_{wR} = R_{wp} - 2\text{dB}$$



IDEAL 5000 VERTICAL SECTION

POSSIBLE GLASS STRIPS:

STANDARD



classicline

OPTIONAL



roundline